

4

3

2

1

F

F

E

E

D

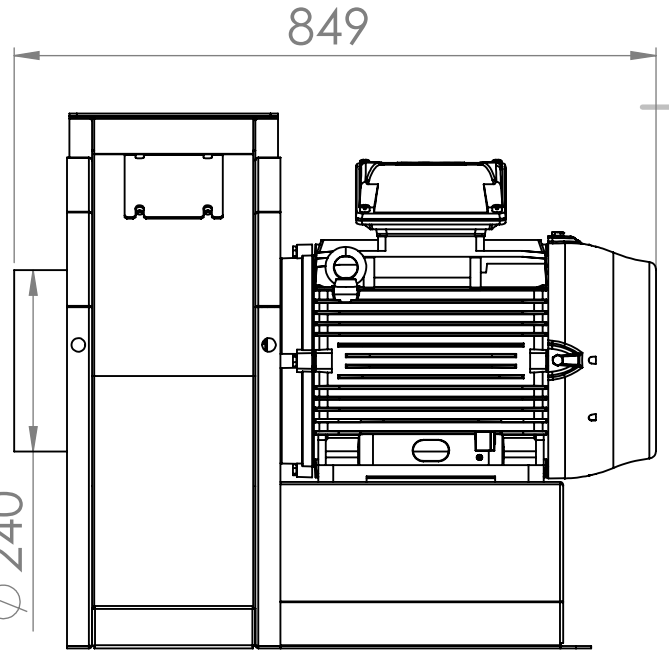
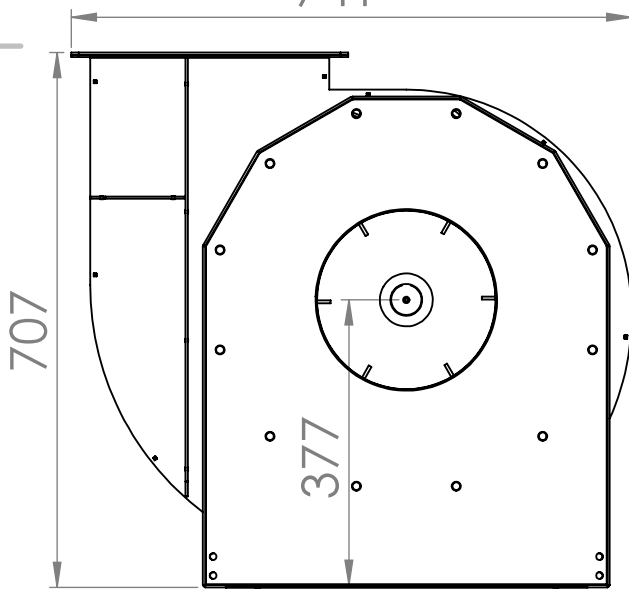
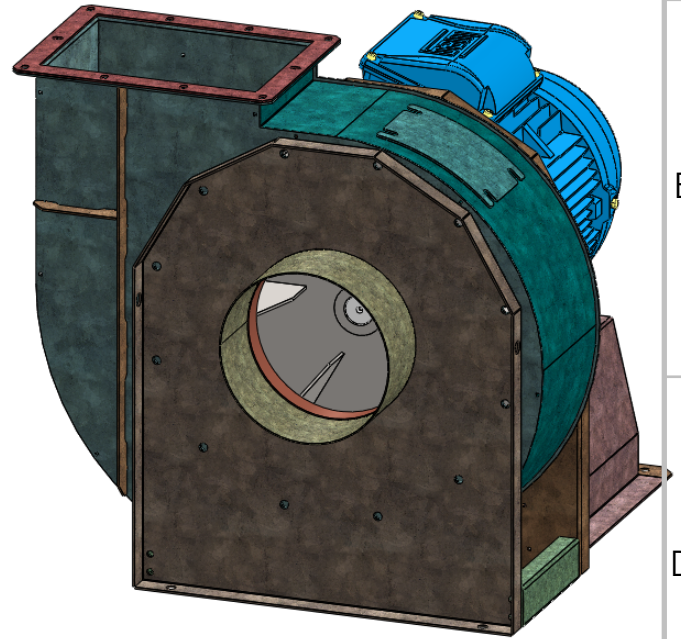
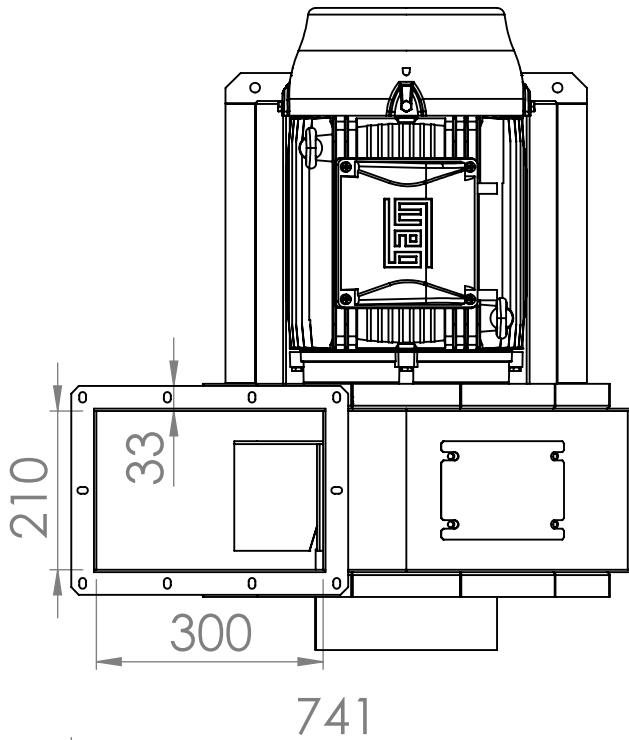
D

C

C

B

B



UNLESS OTHERWISE SPECIFIED:
DIMENSIONS ARE IN MILLIMETERS
SURFACE FINISH:
TOLERANCES:
LINEAR:
ANGULAR:

FINISH:

DEBURR AND
BREAK SHARP
EDGES

DO NOT SCALE DRAWING

REVISION

| | NAME | SIGNATURE | DATE |
|--------|------|-----------|------|
| DRAWN | | | |
| CHK'D | | | |
| APPV'D | | | |
| MFG | | | |
| Q.A | | | |

| | |
|------------|-----------------------------|
| TITLE: | |
| DWG NO. | ventilator ATDD 450-2022 A4 |
| SCALE:1:20 | SHEET 1 OF 1 |

4

3

2

1

A

A