

4

3

2

1

F

F

E

E

D

D

C

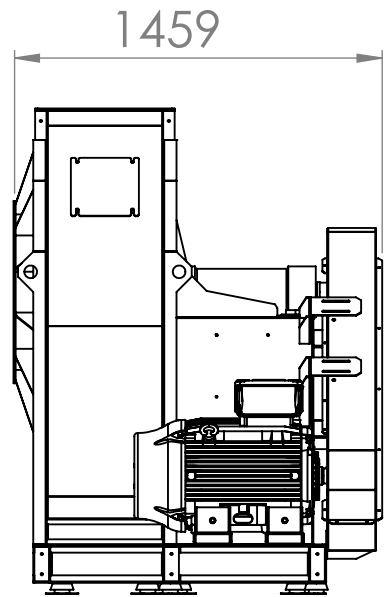
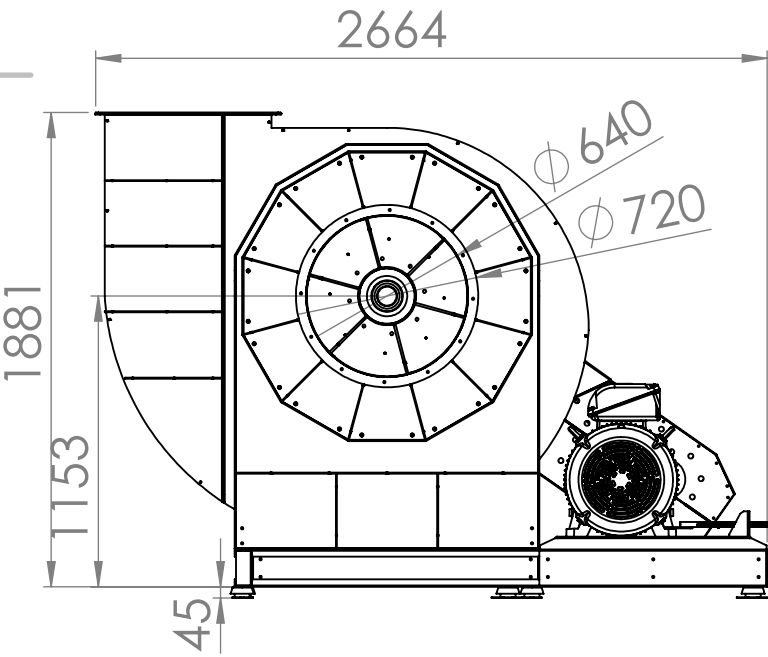
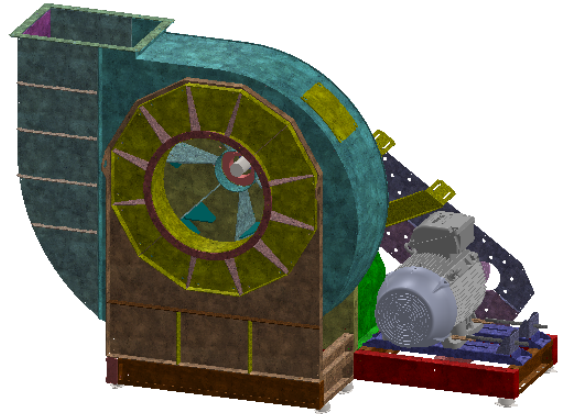
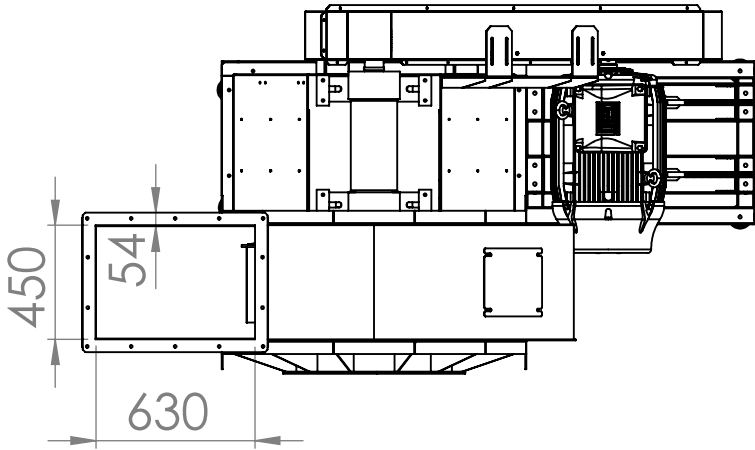
C

B

B

A

A



UNLESS OTHERWISE SPECIFIED:  
 DIMENSIONS ARE IN MILLIMETERS  
 SURFACE FINISH:  
 TOLERANCES:  
 LINEAR:  
 ANGULAR:

FINISH:

DEBURR AND  
 BREAK SHARP  
 EDGES

DO NOT SCALE DRAWING

REVISION

|        | NAME | SIGNATURE | DATE |           |
|--------|------|-----------|------|-----------|
| DRAWN  |      |           |      |           |
| CHK'D  |      |           |      |           |
| APPV'D |      |           |      |           |
| MFG    |      |           |      |           |
| Q.A    |      |           |      |           |
|        |      |           |      | MATERIAL: |
|        |      |           |      | WEIGHT:   |

TITLE:

DWG NO.

**ventilator ATDD-T 1050**

A4

SCALE:1:50

SHEET 1 OF 1

4

3

2

1